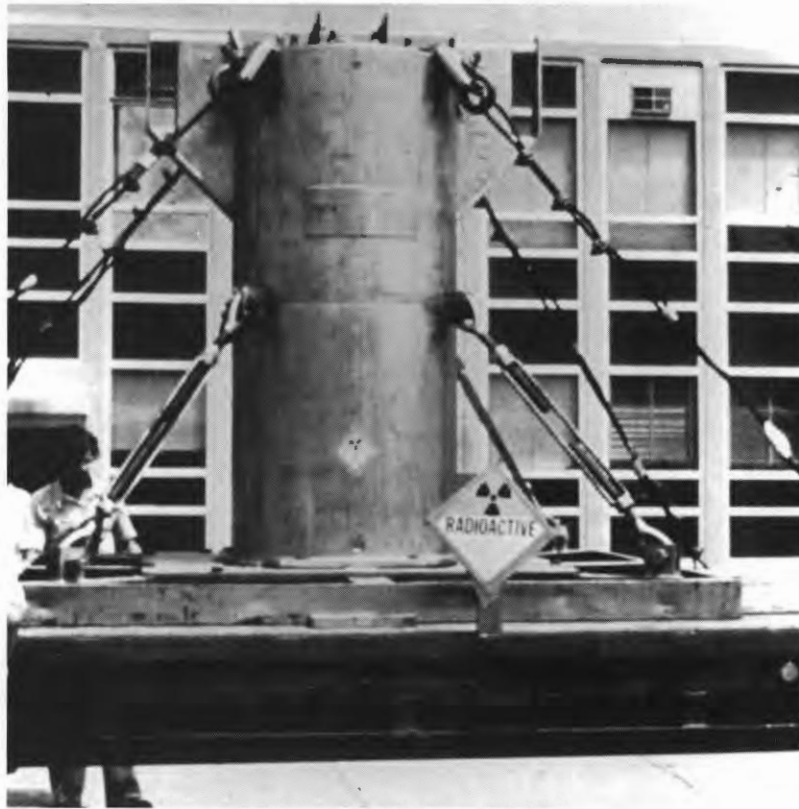




Transportation Packaging Quick Facts

National Transportation Program



Cask: BMI-1

Manufacturer: Battelle Columbus Laboratories

Certification: Nuclear Regulatory Commission (NRC) Certification 71-5957 (expires March 31, 2001)

General Description:

Packaging Type: B

Gross Weight: 23,660 pounds (10,732 kilograms) with a maximum load of 1,800 pounds (816.5 kilograms)

Capacity: 8 to 38 fuel assemblies

Overall Dimensions: Length 73.4 inches (186.4 centimeters), Diameter 33.4 inches (84.8 centimeters)

Cavity Size: Length 54 inches (137.2 centimeters), Diameter 15.5 inches (39.4 centimeters)

Mode of Transport: Truck

Use: The BMI-1 is a steel-encased, lead-shielded cask, used by DOE for the domestic shipment of spent nuclear fuel from research and test reactors. The allowable contents which can be shipped in the cask include irradiated material test reactor (MTR) type fuel assemblies, irradiated high flux beam reactor fuel assemblies, irradiated Training, Research, Isotope production, General Atomic (TRIGA) fuel assemblies, and a variety of other types of irradiated materials.

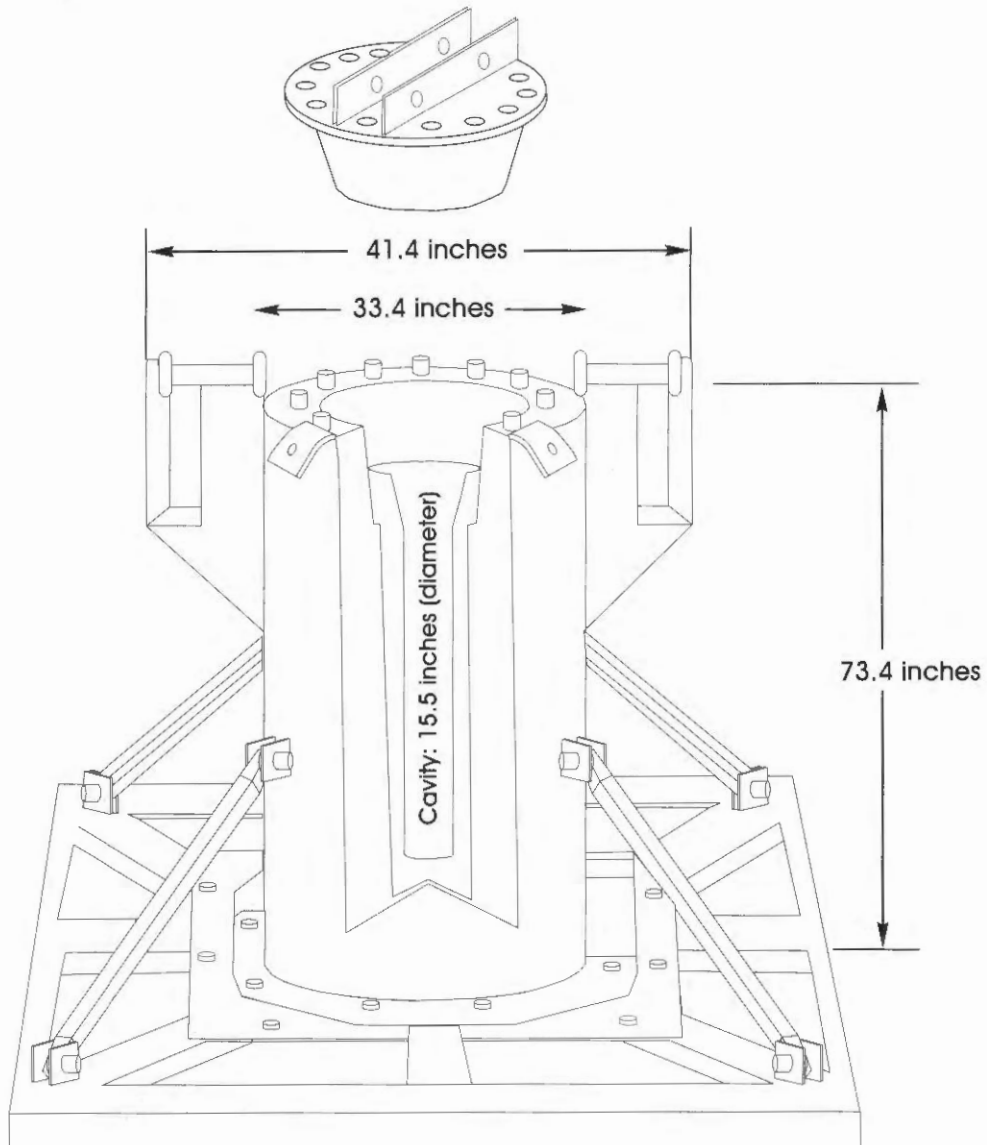
Frequency of Use: 3 to 6 times per year

Loading Process: Top loading

Owner: DOE



650-3709 720



BMI-1 Shipping Cask

Additional information on DOE's National Transportation Program may be obtained from:

National Transportation Program
 U.S. Department of Energy
 Albuquerque Operations Office
 P.O. Box 5400, MS SC-5
 Albuquerque, NM 87185-5400

Phone: 505-845-6134
 Fax: 505-845-5508

Website:
<http://www.ntp.doe.gov/>

DOE Center for Environmental
 Management Information
 P.O. Box 23769
 Washington, DC 20026-3769

1-800-7EM-DATA
 1-800-736-3282

Website:
<http://www.em.doe.gov/>

Transportation Resource Exchange Center
 ATR Institute
 University of New Mexico
 1001 University Blvd., SE
 Albuquerque, NM 87106-4342

Phone: 1-877-287-TREX (8739)
 Fax: 505-246-6001
 email: trex@unm.edu

Website:
<http://www.unm.edu/~trex>