



Transportation Packaging Quick Facts

National Transportation Program



Cask: NAC-LWT

Manufacturer: NAC International

Certification: Certified for domestic and international use; Certification USA/9225/B(U)F (expires February 28, 2000)

General Description:

Packaging Type: B

Gross Weight: 51,200 pounds (23,224 kilograms) maximum load

Capacity: 4,000 pounds (1,814 kilograms) maximum

Overall Dimensions: Length 199.8 inches (507.5 centimeters), Diameter 44 inches (111.8 centimeters)

Cavity Size: Length 181 inches (459.7 centimeters), Diameter 13.4 inches (34 centimeters)

Mode of Transport: Truck/Rail

Use: The NAC-LWT is a steel-encased, lead-shielded Legal Weight Truck transportation cask. The cask body consists of a 0.7-inch- (2-centimeter-) thick stainless steel inner shell, a 5.7-inch- (14.5-centimeter-) thick gamma shield, a 1.2-inch- (3-centimeter-) thick stainless steel outer shell, and neutron shield tank. The NAC-LWT currently is authorized to transport several types of spent nuclear fuel, including 1 pressurized water reactor assembly, 2 boiling water reactor assemblies, up to 15 metallic fuel rods, or 42 parallel plate material test reactor (MTR) fuel assemblies. It has a design heat rejection of 2.5 kilowatts. Five NAC-LWT casks are available for use.

Frequency of Use: Use varies widely within the United States and abroad.

Loading Process: Wet immersion or dry, using the NAC Dry Transfer System

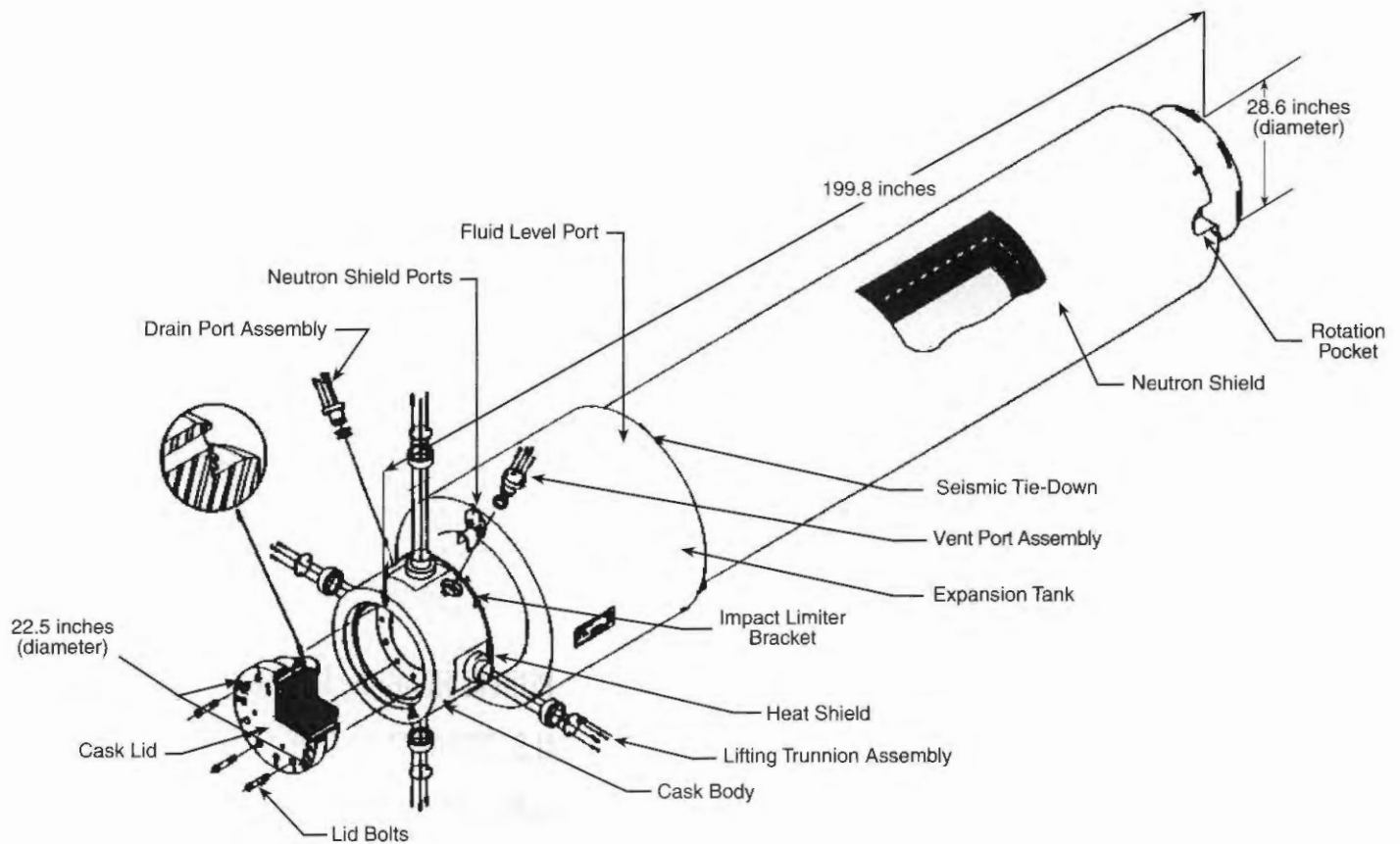
Owner: NAC International
Norcross, GA

PUBLIC READING ROOM

U.S. DEPARTMENT OF ENERGY

IDAHO OPERATIONS OFFICE





NAC-LWT Shipping Cask

Additional information on DOE's National Transportation Program may be obtained from:

National Transportation Program
U.S. Department of Energy
Albuquerque Operations Office
P.O. Box 5400, MS SC-5
Albuquerque, NM 87185-5400

Phone: 505-845-6134
Fax: 505-845-5508

Website:
<http://www.ntp.doe.gov/>

DOE Center for Environmental
Management Information
P.D. Box 23769
Washington, DC 20026-3769

1-800-7EM-DATA
1-800-736-3282

Website:
<http://www.em.doe.gov/>

Transportation Resource Exchange Center
ATR Institute
University of New Mexico
1001 University Blvd., SE
Albuquerque, NM 87106-4342

Phone: 1-877-287-TREX (8739)
Fax: 505-246-6001
email: trex@unm.edu

Website:
<http://www.unm.edu/~trex>